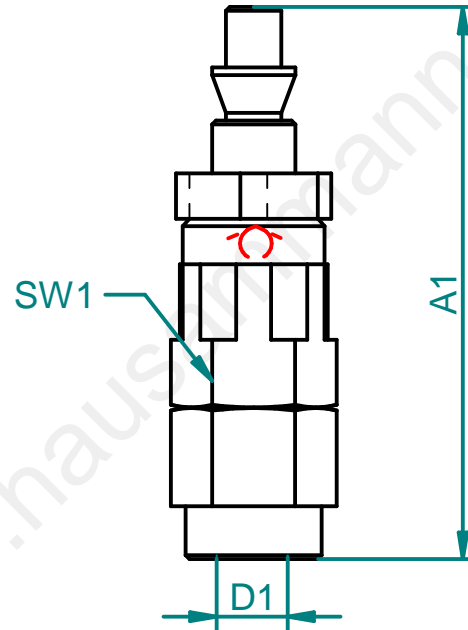



| General tolerances ISO 2768-m |      |              |                |                |                  | Index | Date | Visum | Modification | Index | Date | Visum | Modification |
|-------------------------------|------|--------------|----------------|----------------|------------------|-------|------|-------|--------------|-------|------|-------|--------------|
| Basic-size                    | ...6 | > 6<br>...30 | > 30<br>...120 | >120<br>...400 | > 400<br>...1000 |       |      |       |              |       |      |       |              |
| medium                        | ±0.1 | ±0.2         | ±0.3           | ±0.5           | ±0.8             |       |      |       |              |       |      |       |              |



| Specifications points D,K,H |  |
|-----------------------------|--|
| D= doc.points               |  |
| K= critical                 |  |
| H= main                     |  |

|   |                  | Material:   |                   |  |                    |
|---|------------------|---|-------------------|--|--------------------|
| Accord-draw.no.:  | Origin-draw.no.: | Replacement for:  | Scale             |  |                    |
|   |                  |   | plotted           | 10.04.12   | E.Z                |
|   |                  |   | checked           |  |                    |
|  <b>HAUSAMMANN</b><br>KOMponenten<br>PRODUKTION<br>SYSTEME |                  | 37.519  | <b>Solid Edge</b> | Format<br><b>A4</b>  | Index<br><b>00</b> |
| © 2012, Fuer dieses Dokument behalten wir uns alle Rechte vor.  |                  | © 2012, Nous nous reservons tous les droits sur ce document |                   | © 2012, We reserve all rights in connection with this document |                    |